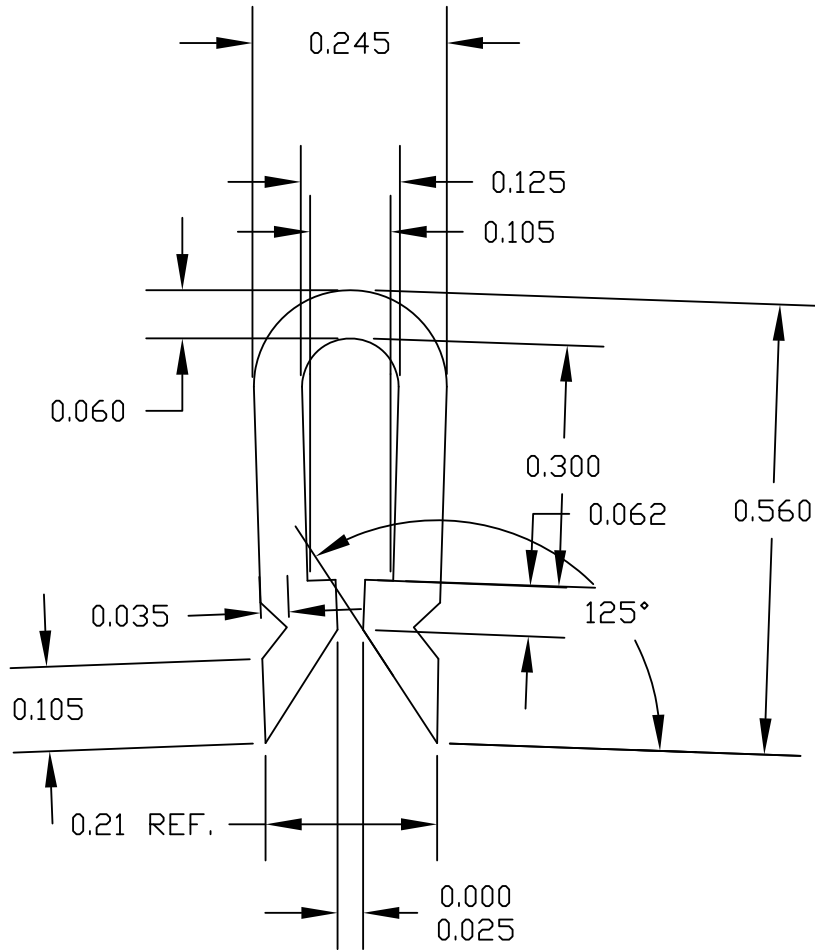


ITM#	QTY	PART#	DESCRIPTION	MATERIAL
1	1	502061	DOOR GUIDE	HP 0



B	Updated for Automated app.	Otto	12/09/96
A	Dim was .035	Otto	06/13/96
REV	DESCRIPTION	BY	DATE

*TRAC · RITE DOOR, INC.*

314 WILBURN ROAD

SUN PRAIRIE, WI 53590

TITLE:

PLASTIC, DOOR GUIDE RUNNER

*Tolerances*

unless otherwise specified:

xxx = ± .005

xx = ± .020

x = ± .030

ANGLES ± 5°

TRAC RITE DOOR, INC. RESERVES PROPRIETARY RIGHTS TO THIS DRAWING AND THE DATA SHOWN THEREON. DRAWING AND/OR DATA ARE CONFIDENTIAL AND ARE NOT TO BE USED OR REPRODUCED WITHOUT WRITTEN CONSENT OF TRAC-RITE DOOR, INC.

DRAWN BY Otto DATE 07-15-93 USED ON: DOORS

CHK'D DRWG SIZE CODE NO. DRWG NO./PART NO. 502061

SCALE 4 = 1

A